

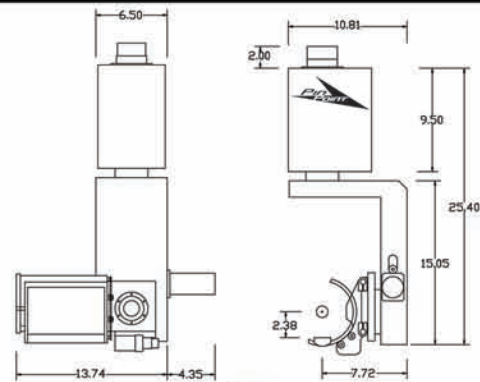
- **3 Axis Light Weight Stabilized Head**
- **Designed for Cable Rigs**
- **Fast and Responsive**
- **Hi Def via Fiber optic**



- **Stabilizes smaller cameras and payloads**
- **Perfect for cable work**
- **Stabilized steerable roll axis**
- **Fiber Optic Slip Rings for HD Video**
- **Wireless control**

### System Specifications

- **Gyro-Stabilization** 3 axis Nettmann S.A.S. stabilization
- **Operational Ranges**
  - Pan 360° continuous □ 360°/sec.
  - Tilt 170° □ 280°/sec.
  - Roll +/- 40°max; Steerable or Auto Level □ 40°/sec.
- **System Orientation** Hanging Only
- **Max Lens Stabilized** 4.5-65mm Lens
- **Environmental** -22°F to 120°F (-30°C to 45°C) Sealed for Rain
- **Max. Payload Wt.** 15 Lbs. (7kg.);
- **Max. Camera Size** 4.2"W x 5.5"H x 6.5"L (10.6cm x 13.9cm x 16.1cm)
- **System Weight** 44 lbs. (20kg.) Includes typical camera and lens
- **Power Requirements** 24 VDC (72 watts standby, 360 watts dynamic max)
- **Targeted Tracking** Automatic
- **Back Pan Correction** Automatic/Selectable
- **Operator Controls** Displacement Joystick
- **Lens Control** Via Control Desk
- **Wireless Control** RS 232 & RS 422
- **Control Desk** Heated for Cold Shooting Environments



**PinPoint**  
Miniature Gyro-Stabilized Head

(all dimensions in inches)

### Applications: Cable-Rigs & Descender Rigs

### Cameras Accepted

- Panasonic AK-HC-910
- Panasonic AK-HC-1500
- Sony HDC 1500
- Call for Others